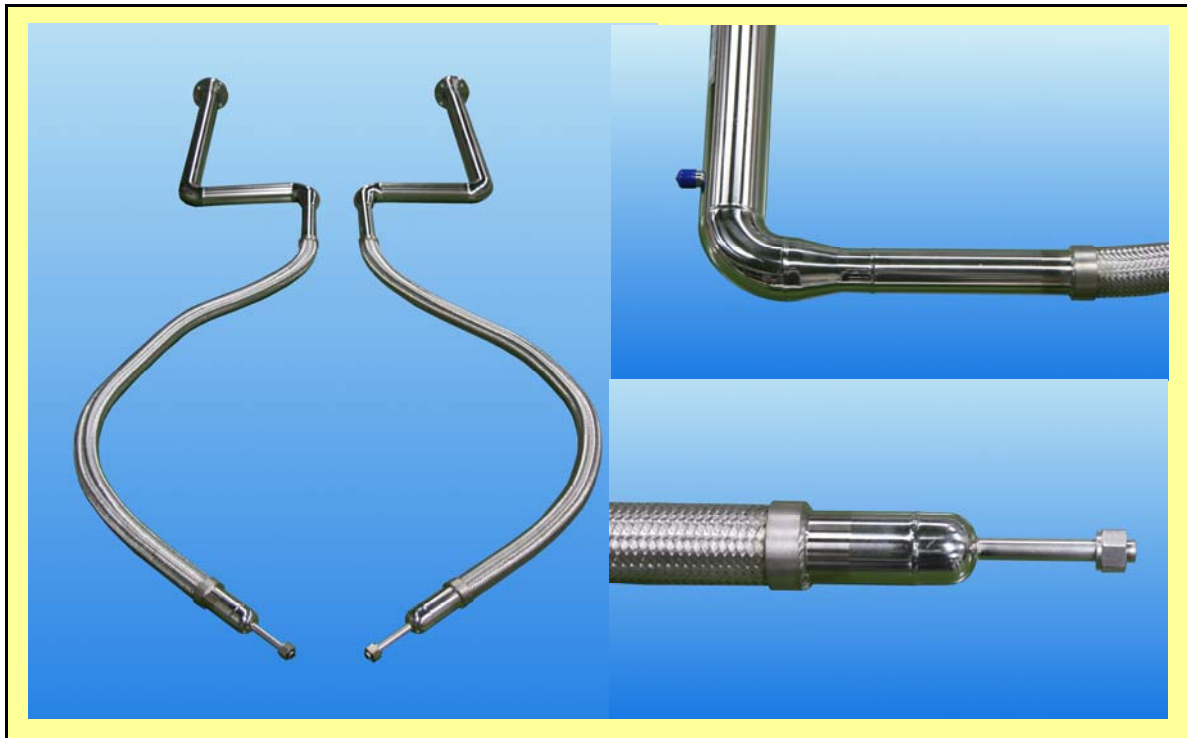


Super Insulated Vacuum Flexible Tube



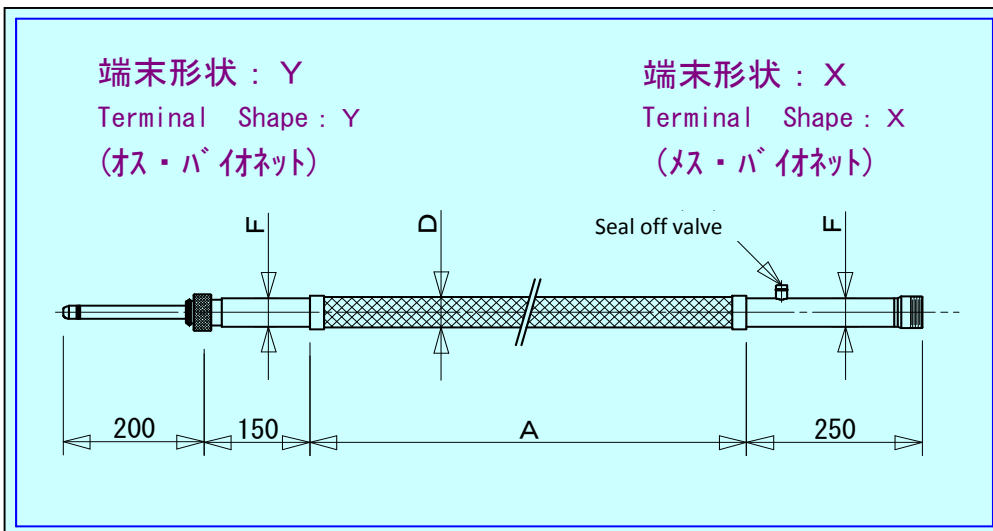
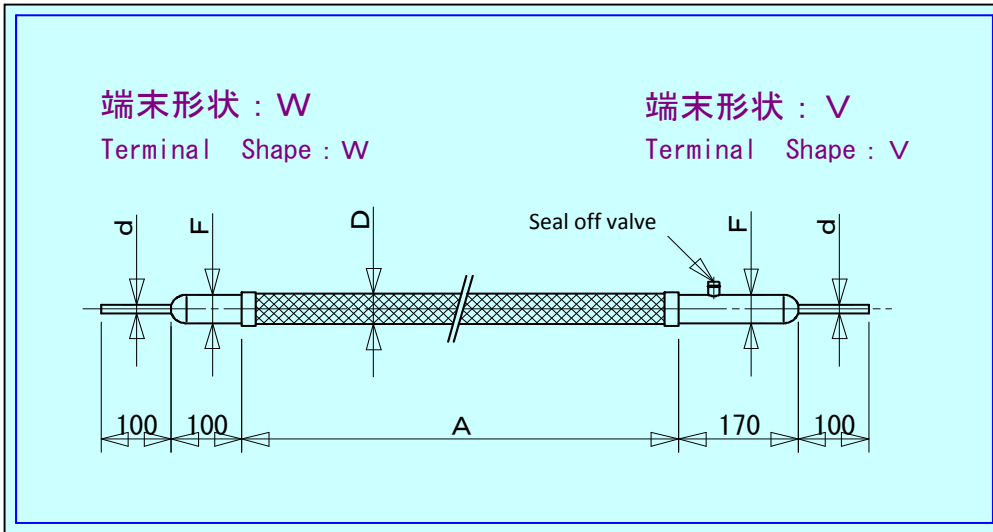
■ S. I. V. LEX 特長

- Lowest heat leak by "super insulation"
- Can install easily and disassemble (Bayonet Joint)
- Compact and light weight
- Polished stainless steel is equivalent to the clean area, like "Pharmaceutical" and "food" industry
- Long life time

■ Application

- | | |
|---------------------------|---|
| • Electric device process | (Low temperature process, MBE) |
| • Food Industry | (Chilled foods, Freeze dry) |
| • Metal working | (Cooling fit, Sub-zero treatment, Cryogenic-grinding) |
| • Laboratories | (Cryogenic Center) |
| • Amusement | (Smoke screen) |
| • Medical analysis | (MRI, Electron microscope, Biological cell storage) |
| • Space | (space chamber, Liquid helium supply system) |

■ Standard size



ID : d	A	D	F
$\phi 9.53$ (3/8")	1 ~ 5m	$\phi 37.5$	25A ($\phi 34$)
$\phi 12.7$ (1/2")	1 ~ 5m	$\phi 46.0$	32A ($\phi 42.7$)

12-14,2-Chome,Chibune,Nishiyodogawa-ku,
 Osaka,555-0013 Japan
 TEL : +81-6-6475-5266 FAX : +81-6-6475-7330

Cryovac Corporation

E-mail : info@cryovac.jp